



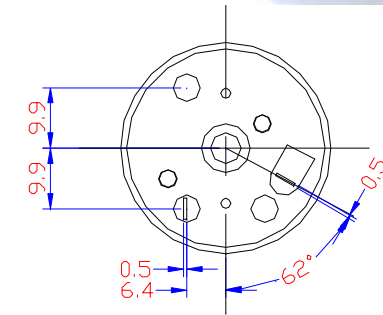
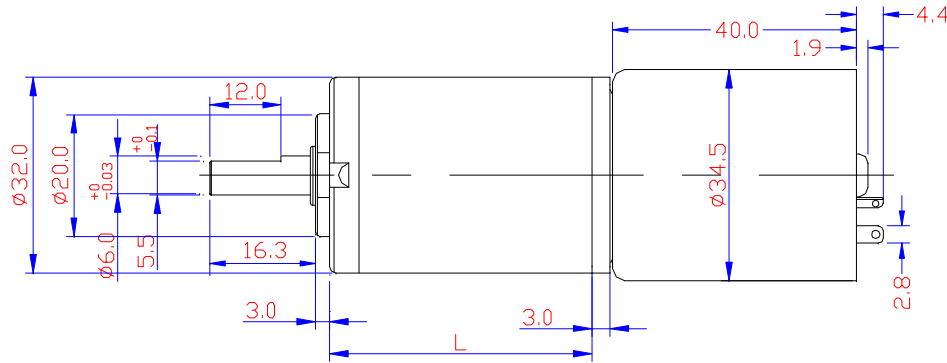
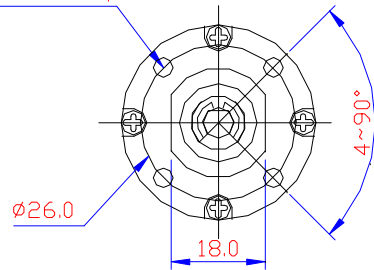
Hennkwell IND. CO., LTD.

Model : PK32F Series of DC Planetary Gear Motor



(A). Dimensional Figures :

4~M3x6.6 dp.



(B). Standard DC Motor Specifications :

| DESCRIPTION | Rated Voltage VDC | Speed RPM | Current mA | Torque g-cm | Output W | Eff % |
|-------------|----------------------|--------------|---------------|----------------|-------------|----------|
| NO LOAD | 12V | 6000 ± 600 | approx. 136 | | | |
| | 24V | 6000 ± 600 | approx. 50 | | | |
| AT MAX. EFF | 12V | 5000 | approx. 710 | approx. 105 | approx. 5.4 | 63 |
| | 24V | 5100 | approx. 320 | approx. 105 | approx. 5.4 | 71 |
| AT STALL | 12V | | approx. 3755 | approx. 656 | | |
| | 24V | | approx. 2122 | approx. 780 | | |

(C). Gearbox Specifications :

| Reduction Ratio | Rated Tolerance Torque | Max. Momentary Tolerance Torque | Efficiency | Radial Play of Shaft | Thrust Play of Shaft | L |
|-----------------|------------------------|---------------------------------|------------|----------------------|----------------------|------|
| 1/5 | 2kgf-cm Max | 6 kgf-cm | 80% | ≤ 0.05 mm | ≤ 0.03 mm | 17.6 |
| 1/27 | 6kgf-cm Max | 18 kgf-cm | 70% | ↑ | ↑ | 24.0 |
| 1/51,1/71 | 12kgf-cm Max | 36 kgf-cm | 60% | ↑ | ↑ | 30.4 |
| 1/100 | 12kgf-cm Max | 36 kgf-cm | 60% | ↑ | ↑ | 30.4 |
| 1/264 | 12kgf-cm Max | 36 kgf-cm | 50% | ↑ | ↑ | 36.8 |
| 1/516 | 12kgf-cm Max | 36 kgf-cm | 50% | ↑ | ↑ | 36.8 |
| 1/721 | 12kgf-cm Max | 36 kgf-cm | 50% | ↑ | ↑ | 36.8 |